

## Dual Bend Neon LED Strip Lights

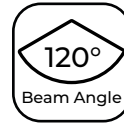
Single Color Neon Strip Specifications

Project \_\_\_\_\_

Date \_\_\_\_\_ Type \_\_\_\_\_



NFDB-B-27K80-16C5M-24V



### Available Models<sup>1</sup>

- NFDB-B-27K80-16C5M-24V
- NFDB-B-40K80-16C5M-24V
- NFDB-B-65K80-16C5M-24V
- NFDB-B-BLU-16C5M-24V
- NFDB-B-GRE-16C5M-24V
- NFDB-B-RED-16C5M-24V

### SAMPLE PART NUMBER BREAKDOWN

## NFDB-B-27K80-16C5M-24V

Series	Color	CRI	Strip Width	Density	Length	Voltage
<b>NFDB-B</b>	<b>27K</b>	<b>80</b>	<b>16</b>	<b>C</b>	<b>5M</b>	<b>24V</b>
Neon Flexible Dual Bend	27K: 2700K 40K: 4000K 65K: 6500K BLU: Blue GRE: Green RED: Red	80: 80+ blank: n/a	16mm	120 LEDs/m	5 meters	24 VDC

### Overview

Neon LED strip lights provide the look of traditional neon lighting. Fully encased in silicone, these durable dual-bend neon strip lights are safer and more efficient than traditional neon glass tubes. The dual bend strips can be flexed and cut into segments to follow unique shapes for custom installations. The strips offer a continuous “line of light” in red, green, or blue light or a static white CCT. To customize the length of strip, trim the strip light at one of the cut points indicated by the dotted lines. The IP67 waterproof construction makes these strips ideal for use outdoors or in wet locations.

See last page for minimum bending diameter.

### Features

- Flexible neon strip replaces traditional fragile glass tubes
- Dual bend flexible design - bends to fit custom shapes
- IP67 waterproof - fully encased in silicone
- Custom mounting, wiring, and more with available accessories

### Product Details

- Continuous dotless line of light
- Segment length: 16.51 mm
- Class 2 Max Run: 5 meters
- Dimmable with PWM signal
- Lifetime up to 50,000 hours
- 24 VDC input

### Certifications and Compliances

- UL Listed - UL 2108 (IFDR)
- CE Compliant

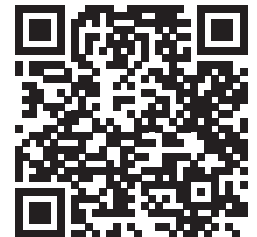


### Applications

- Accent Lighting
- Backlighting
- Commercial Lighting
- Cove Lighting
- Patios
- Retail Shops
- Sign Lighting
- Under-Cabinet

### Warranty

- 7-year Warranty



<sup>1</sup>Contact customer service if interested in other options.

## Dual Bend Neon LED Strip Lights

Single Color Neon Strip Specifications

SPECIFICATIONS			
Model	NFDB-B-27K80-16C5M-24V	NFDB-B-40K80-16C5M-24V	NFDB-B-65K80-16C5M-24V
LED Color <sup>2</sup>	2700K	4000K	6500K
Lumens per Foot	265 lm/ft	290 lm/ft	295 lm/ft
Efficacy	62 lm/W	68 lm/W	69 lm/W
CRI	80+		

Model	NFDB-B-BLU-16C5M-24V	NFDB-B-GRE-16C5M-24V	NFDB-B-RED-16C5M-24V
LED Color <sup>2</sup>	Blue	Green	Red

PHOTOMETRIC	
Beam Angle	120°
ELECTRICAL	
Operating Voltage	24 VDC
Current Draw	2.9A
Current Draw per Foot	177 mA/ft
Wattage	70W
Wattage per Foot	4.3 W/ft
Dimmer Type	PWM
MECHANICAL	
LEDs per Segment	2
Minimum Cut Length	16.7mm (0.66in.)
Class 2 Max Run	16.4ft (5m)
LED Density	36 LEDs/ft
Strip Width	16mm (0.63in.)
Length	16.4ft (5m)
Input Connection Type	Pigtail
LED Type	2835 SMD
LED Lifetime	50000 hours
ENVIRONMENTAL	
IP Rating	IP67
Environmental Rating	Suitable for Wet Locations, Waterproof
Ambient Operating Temperature	-20 to 60°C (-4 to 140°F)

<sup>2</sup>Single color LEDs as ordered.

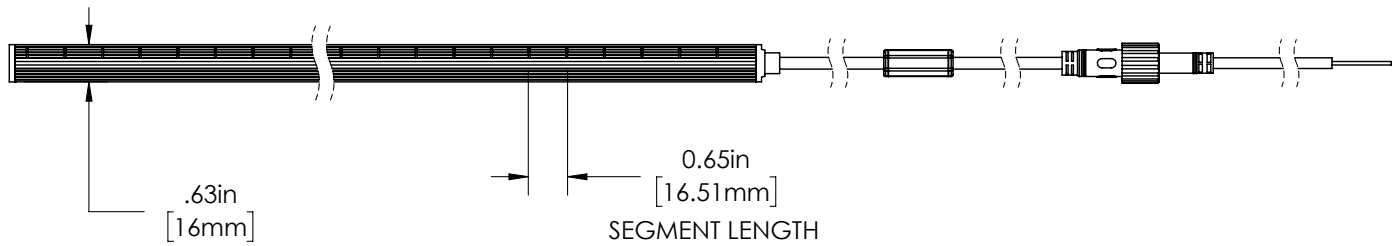
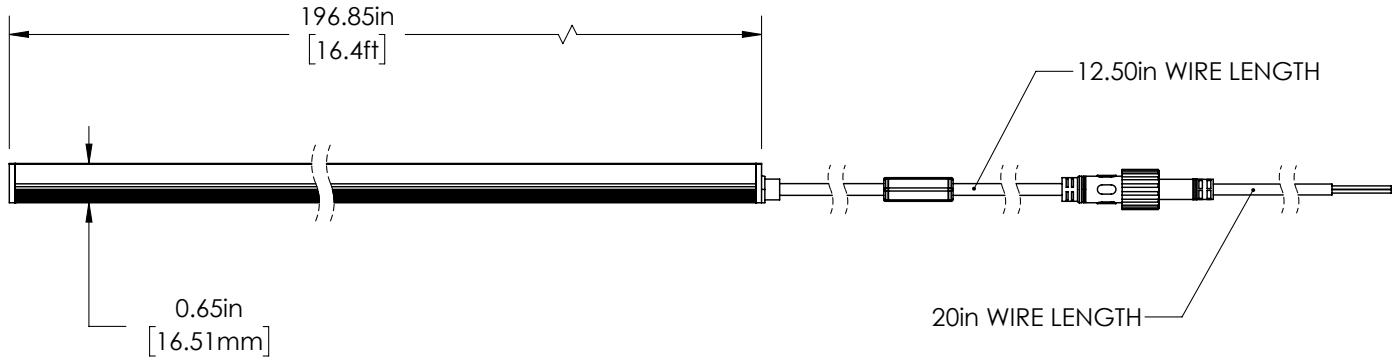


## Dual Bend Neon LED Strip Lights

Single Color Neon Strip Specifications

### Dimensional Drawings

NFDB-B-x-16C5M-24V



### Minimum Bending Diameter

Dual Bend Neon	Top Bend	Side Bend
NFDB-B-x-16C5M-24V	7.8in. (200mm)	11.8in. (300mm)

