

VTCJ and VTWJ Series

LED Vapor Tight Jelly Jar Specifications

Project _____

Date _____ Type _____



VTWJ-SW3B26



Features

- 120-277 VAC
- L70 rated 50,000 hour lifetime
- IP65 rated water resistance
- 90°-180° adjustable for wall or ceiling mounting

Construction

Manufactured with a durable aluminum housing and polycarbonate lens.

Application

Easily replaces inefficient metal-halide fixtures such as those found in warehouses, barns, tunnels, factories, food processing plants, and other commercial and industrial spaces.

Output Equivalency

150 W incandescent, 70 W metal-halide

Warranty

Five (5) Year Warranty

Certifications and Compliances

These lights are ETL Listed in compliance with UL 1598 (IFAM).



Available Models¹

- VTCJ-SW3B26
- VTWJ-SW3B26

Part Number Breakdown

Example: VTCJ-SW3B26

Family	Color Temperature	Wattage
VTCJ VTWJ	SW3B [Selectable CCT 3000K / 4000K / 5000K]	26W [26 W]

Specifications

Model	VTCJ-SW3B26	VTWJ-SW3B26
Intensity (varies by selected wattage and CCT)	2990 lm (26 W) / 2,300 lm (20 W) / 1,495 lm (13 W)	
Operating Voltage	120-277 VAC	
Wattage (selectable)	26 W / 20 W / 13 W	
Current Draw (varies by selected wattage)	220 / 170 / 110 mA @ 120 VAC 94 / 72 / 47 mA @ 277 VAC	
Efficacy	115 lm/W	
Color Temperature (selectable)	3000K / 4000K / 5000K	
Beam Angle	140° x 360°	
CRI	70+	
Dimming	No	
IP Rating	IP65	
Ambient Operating Temperature	-40°-86° F (-40°-30° C)	
Rated Life (L70)	50,000 hours	

¹Contact customer service if interested in options other than those listed.

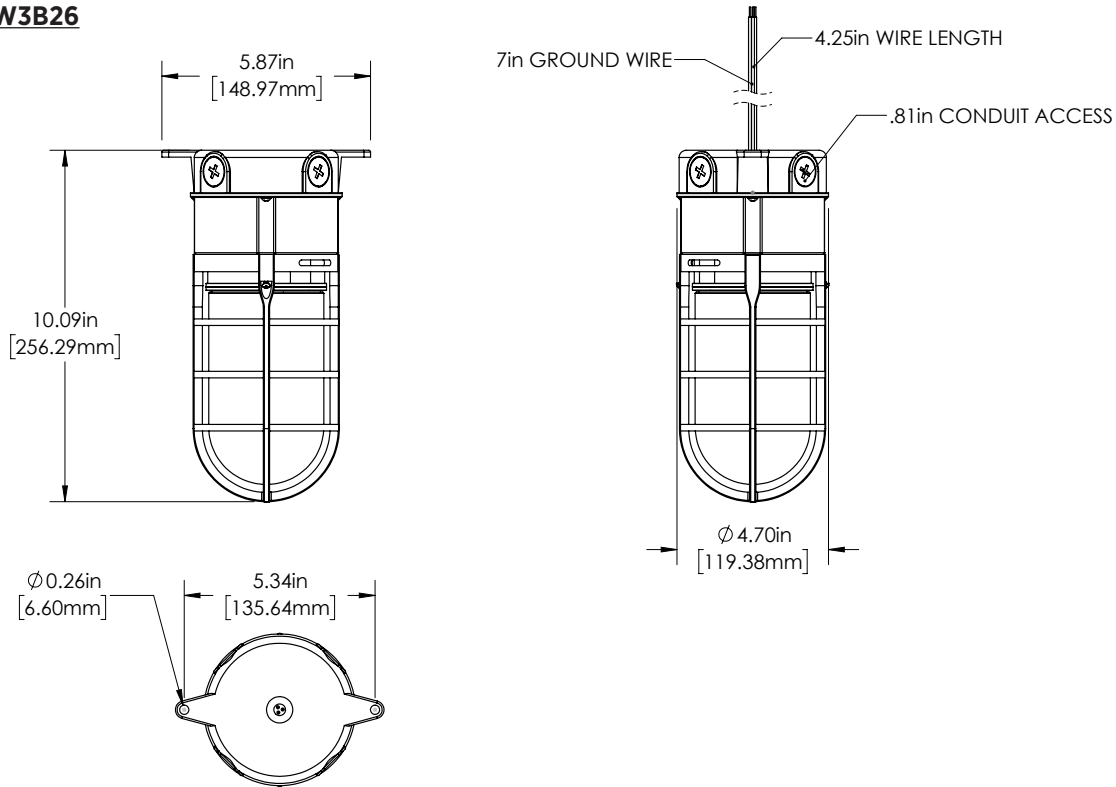


VTCJ and VTWJ Series

LED Vapor Tight Jelly Jar Specifications

Dimensional Drawing

VTCJ-SW3B26



Dimensional Drawing

VTWJ-SW3B26

