

WPGL2 Series

LED Wall Pack Specifications

Project _____

Date _____ Type _____



Description

WPGL2 series LED wall packs are designed to be a durable and maintenance-free fixture. Constructed using bronze powder-coated aluminum and a non-yellowing glass lens, the wall pack is rated IP65 for outdoor installations. Compact design directs light downward, decreasing wasted light. Wide beam distribution is ideal for parking lots, building exteriors, and warehouses.

Mechanical

- Sleek design has less depth than traditional form factor
- Bronze powder-coated aluminum body
- Borosilicate glass refractor lens
- Operating temperature of -40°-113° F (-40°-45° C)
- IP65 environmental rating

Electrical

- 120-277 VAC input
- 0-10 V dimmable
- Fixed or selectable wattage
- Built-in surge protection
- 50,000 hour L70 rated lifespan
- Power factor of ≥ 0.9

Photometrics

- 100° x 70° beam angle / Type III-S distribution
- 5000K CCT or selectable CCT (3000K / 4000K / 5000K)
- 125+ lm/W efficacy
- B2-U3-G2 BUG rating

Available Models¹

Fixed CCT

- WPGL2-50K35-H
- WPGL2-50K50-H
- WPGL2-50K75-H
- WPGL2-50K100-H
- WPGL2-50K120-H

Selectable CCT / Wattage

- WPGL2-SW3B35-HPC
- WPGL2-SW3B50-HPC
- WPGL2-SW3B75-HPC
- WPGL2-SW3B100-HPC
- WPGL2-SW3B120-HPC

Part Number Breakdown

Example: WPGL2-SW3B100-HPC

Family	Color Temperature	Wattage	Efficacy	Options
WPGL2	50K [5000K] or SW3B [selectable CCT]	35 [35 W]	H [high efficacy]	blank [none] or PC [photocell]
		50 [50 W]		
		75 [75 W]		
		100 [100 W]		
		120 [120 W]		

Certifications and Compliances

These lights are Certified by UL in compliance with UL 1598 (IFAM) and are listed by DesignLights Consortium as DLC 5.1 Premium.



Application

Easily replaces inefficient metal-halide fixtures such as those found at warehouses, parking lots and garages, gas stations, and other commercial and industrial spaces. These are also a great solution for entryways and other areas where good lighting is essential for security.

Warranty

Five (5) year warranty



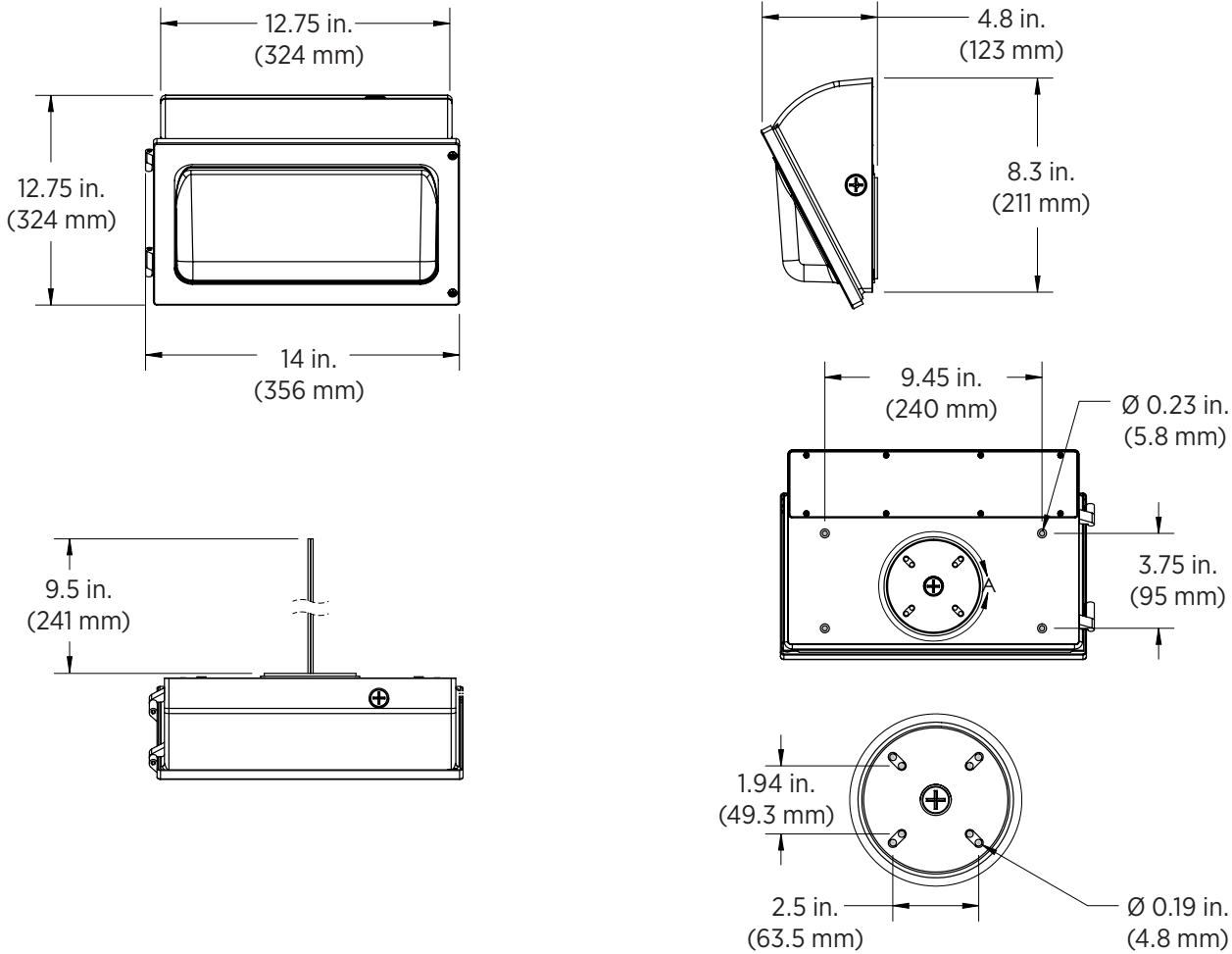
T 866.811.5550
F 314.972.6202
email: commercial-sales@superbrightleds.com
www.superbrightleds.com/cat/industrial-led-lighting/

¹Contact customer service if interested in options other than those listed.

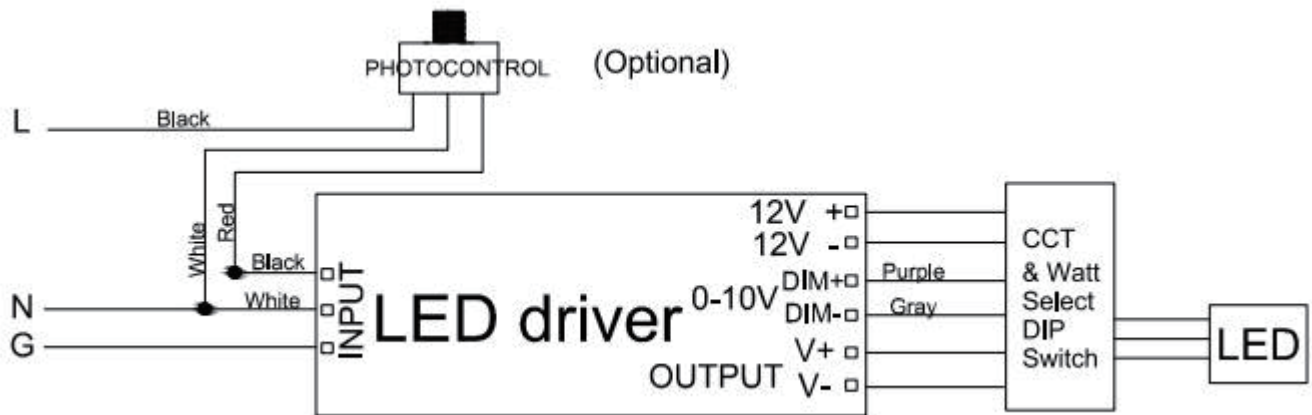
WPGL2 Series

LED Wall Pack Specifications

Dimensional Drawing



Wiring Diagram



WPGL2 Series

LED Wall Pack Specifications

Specifications

Model	WPGL2-50K35-H	WPGL2-50K50-H	WPGL2-50K75-H	WPGL2-50K100-H	WPGL2-50K120-H
Intensity	4,550 lm	6,500 lm	9,750 lm	13,000 lm	15,600 lm
Operating Voltage	120-277 VAC				
Power Consumption	35 W	50 W	75 W	100 W	120 W
Current Draw	292 mA @ 120 VAC 126 mA @ 277 VAC	417 mA @ 120 VAC 181 mA @ 277 VAC	625 mA @ 120 VAC 271 mA @ 277 VAC	833 mA @ 120 VAC 361 mA @ 277 VAC	1 A @ 120 VAC 433 mA @ 277 VAC
Efficacy	130 lm/W				
Color Temperature	5000K				
Beam Angle	100° (H) x 70° (V)				
CRI	70+				
Dimming	yes (0-10 V)				
IP Rating	IP65				
Ambient Operating Temperature	-40°-113° F (-40°-45° C)				
Surge Protection	4 kV				
Rated Life (L70)	50,000 hours				

Model	WPGL2				
	-SW3B35-HPC	-SW3B50-HPC	-SW3B75-HPC	-SW3B100-HPC	-SW3B120-HPC
Intensity (30K/40K/50K at max. wattage)	4,375 / 4,725 / 4,550 lm	6,250 / 6,750 / 6,500 lm	9,375 / 10,125 / 9,750 lm	12,500 / 13,500 / 13,000 lm	15,000 / 16,200 / 15,600 lm
Operating Voltage	120-277 VAC				
Power Consumption	selectable (35/28/21 W)	selectable (50/40/30 W)	selectable (75/60/45 W)	selectable (100/80/60 W)	selectable (120/96/72 W)
Current Draw (at max. wattage)	292 mA @ 120 VAC 126 mA @ 277 VAC	417 mA @ 120 VAC 181 mA @ 277 VAC	625 mA @ 120 VAC 271 mA @ 277 VAC	833 mA @ 120 VAC 361 mA @ 277 VAC	1 A @ 120 VAC 433 mA @ 277 VAC
Efficacy (30K/40K/50K)	125/135/130 lm/W	125/135/130 lm/W	125/135/130 lm/W	125/135/130 lm/W	125/135/130 lm/W
Color Temperature	selectable (3000K / 4000K / 5000K)				
Beam Angle	100° (H) x 70° (V)				
CRI	70+				
Dimming	yes (0-10 V)				
IP Rating	IP65				
Ambient Operating Temperature	-40°-113° F (-40°-45° C)				
Surge Protection	4 kV				
Rated Life (L70)	50,000 hours				

Photocell Operation (HPC models only)

Light will turn on when the ambient light level falls below 50 lx and will turn off when the ambient light level exceeds 140 lx.

T 866.811.5550

F 314.972.6202

email: commercial-sales@superbrightleds.com

www.superbrightleds.com/cat/industrial-led-lighting/

