



CLCCT2-SW3B270-SBC-EX39

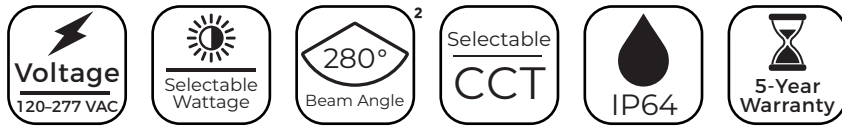
**Available Models<sup>1</sup>**

- CLCCT2-SW3B270-SBC-EX39

**Part Number Breakdown**

Example: CLCCT2-SW3B270-SBC-EX39

Family	CCT	Wattage	Dimming	Chip Maker	Lens	Base Type
<b>CLCCT2</b>	<b>SW3B</b> [selectable, 3000K / 4000K / 5000K ]	<b>270</b> [270 W max. selectable, 135 / 200 / 270 W]	<b>S</b> [dimmable]	<b>B</b> [Lumileds]	<b>C</b> [clear]	<b>EX39</b> [EX39]



**Description**

These LED corn bulbs are an energy-efficient and low-maintenance replacement for metal halide and incandescent bulbs. The EX39 mogul screw base can be used in new construction or retrofit applications. A fan and integrated aluminum heat-sinks provide optimal thermal management for a long lifespan and use in fully enclosed fixtures.

**Mechanical**

- Aluminum housing and polycarbonate lens
- IP64 rated, suitable for damp location
- Enclosure rated

**Electrical**

- 120-277 VAC input
- 6 kV integrated surge protection
- 50,000 hour LED lifetime
- Selectable wattage via switch on bulb

**Photometrics**

- Selectable CCT (3000K / 4000K / 5000K)
- 280° x 360° beam angle<sup>2</sup>
- 80+ CRI

**Certifications and Compliances**

These are UL Listed under file E477606 in compliance with UL 1993 (OOLV) and UL Classified under file E348221 in compliance with UL 1598C (IFAR). These are also DLC 5.1 Standard listed.



**Warranty**

5-year warranty

**Ballast Compatibility**

Ballast bypass is required for these bulbs.

**Application**

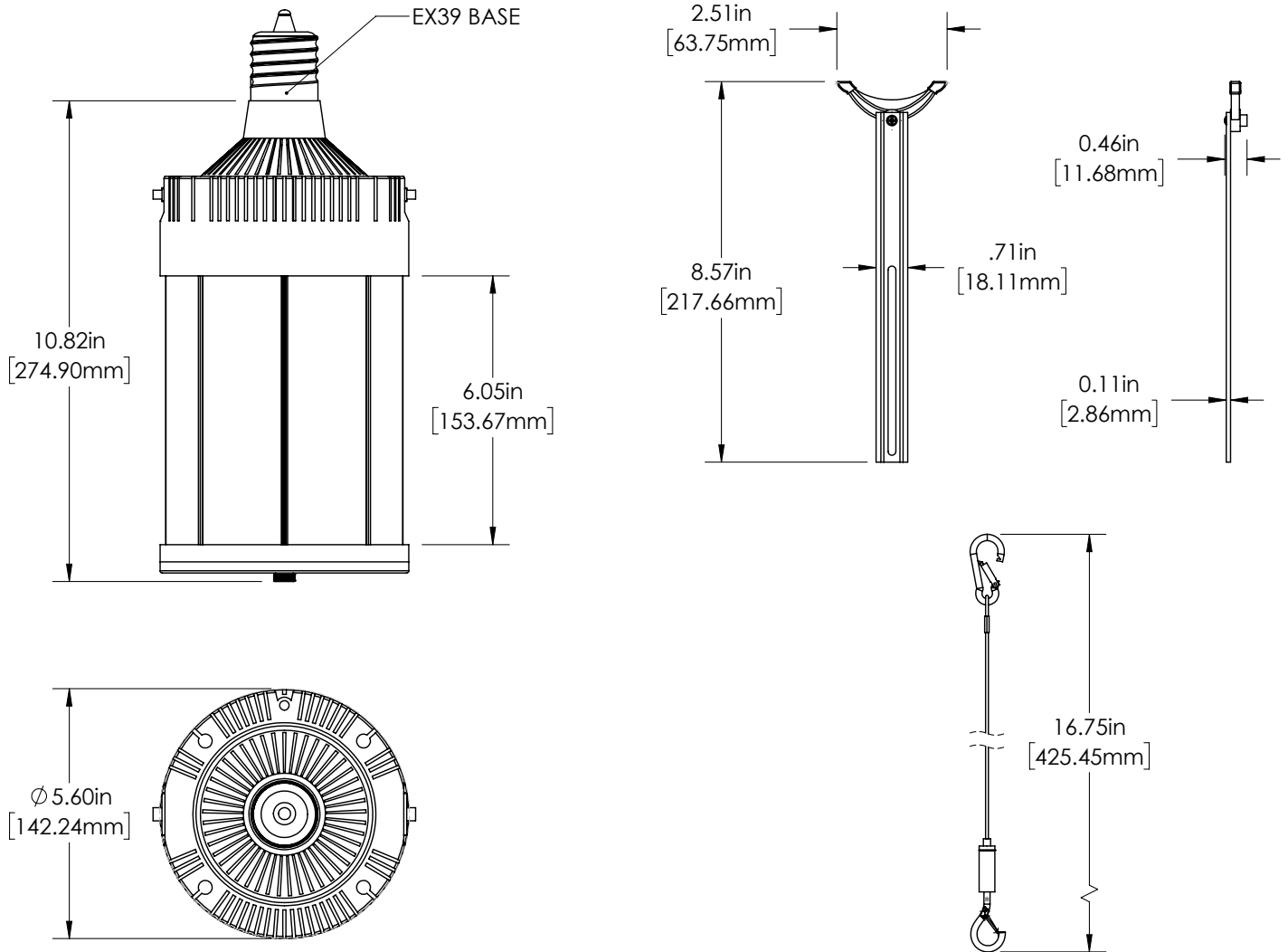
These easily replace inefficient metal-halide bulbs found in fixtures often used for high bay lights, bollards, wall packs, parking lot lights, and other commercial and industrial applications.

<sup>1</sup>Contact customer service for more information on availability.

<sup>2</sup>Value is for bare bulb and will vary depending on fixture.



Dimensions



# CLCCT2 Series

LED Corn Bulb Specifications

## Specifications

Model		CLCCT2-SW3B270-SBC-EX39
Power Consumption		selectable (135 W / 200 W / 270 W)
Intensity		16,200 / 24,000 / 32,500
Efficacy		120 lm/W
Operating Voltage		120-277 VAC
Current Draw (full wattage)	120 VAC	2.25 A
	277 VAC	970 mA
Color Temperature		selectable (3000K / 4000K / 5000K)
Beam Angle		280° x 360°
CRI		80+
Dimming		continuous (internal 0-10V driver) external switch for step-dimming (50% / 75% / 100%)
IP Rating		IP64
Ambient Operating Temperature		-40°-122° F (-40°-50° C)
Rated Life (L70)		50,000 hours
Power Factor		≥0.9
Product Weight		3.6 lb (1.6 kg)

## Wiring Diagram

