

## FLCKM2 Series

LED Flood Light Specifications

Project \_\_\_\_\_

Date \_\_\_\_\_ Type \_\_\_\_\_



FLCKM2-SW3B30-BRK

### Available Configurations<sup>1</sup>

- FLCKM2-SW3B15-BRK
- FLCKM2-SW3B30-BRK
- FLCKM2-SW3B60-BRK

### Part Number Breakdown

Example: FLCKM2-SW3B60-BRK

Series	Configuration	CCT	Wattage	Finish	Mount
FLCKM2	SW [selectable CCT or CCT/wattage]	3B [3000K / 4000K / 5000K]	15 [15 W]	BR [bronze]	K [knuckle]
			30 [30 W]		
			60 [60 W / 50 W / 40 W]		



### Description

FLCKM2 series lights are slim and compact enough for residential features and powerful enough for commercial applications. Fixtures offer a cost-effective and energy-efficient replacement for traditional metal-halide fixtures. IP65 rating and bronze powder-coated die-cast aluminum housing protect the fixture from outdoor conditions. Knuckle mount is included for simple junction box installation and angle adjustment.

### Mechanical

- Powder-coated aluminum housing
- Non-yellowing polycarbonate lens
- IP65 rated
- Operating temperature of -40°-113° F (-40°-45° C)

### Electrical

- 120-277 VAC input
- 0-10 V dimmable
- Built-in photocell with bypass switch
- Selectable wattage on 60 W model
- 50,000 hour LED lifetime
- Compatible with ½" trade size knockouts

### Photometrics

- 130+ lm/w efficacy
- Wide 110° x 100° beam angle
- Selectable CCT (3000K / 4000K / 5000K)

### Application

Easily replaces inefficient metal-halide and halogen fixtures such as those used for lighting building facades and signs as well as those found in general landscape, security, and area lighting applications.

### Certifications and Complies

These lights are Certified by UL in compliance with UL 1598 (IFAM) and are listed by DesignLights Consortium as DLC 5.1 Standard.



### Warranty

5-year warranty



<sup>1</sup>Contact customer service if interested in options other than those listed.

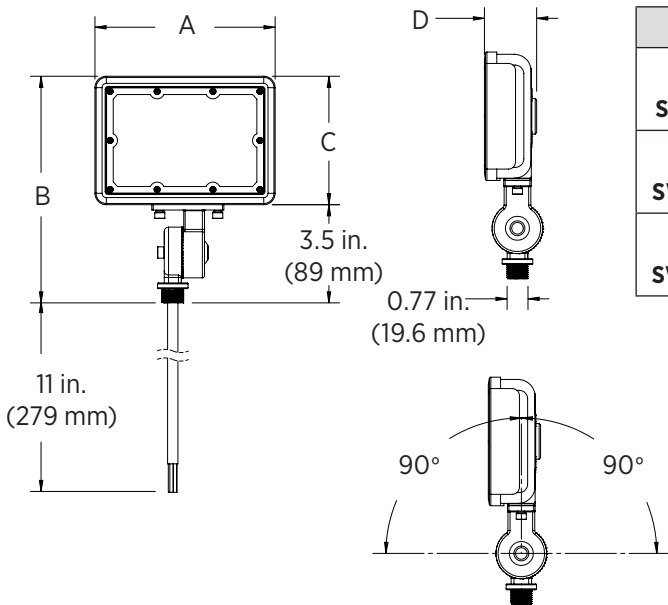
## FLCKM2 Series

### LED Flood Light Specifications

#### Specifications

Model		FLCKM2-SW3B15-BRK	FLCKM2-SW3B30-BRK	FLCKM2-SW3B60-BRK
Intensity		2,025 lm	3,900 lm	7,800 / 6,500 / 5,200 lm
Operating Voltage		120-277 VAC		
Power Consumption		15 W	30 W	selectable (60 W / 50 W / 40 W)
Current Draw	120 VAC	125 mA	250 mA	500 / 417 / 333 mA
	277 VAC	54 mA	108 mA	217 / 181 / 144 mA
Efficacy		130 lm/w		
Color Temperature(s)		selectable (3000 / 4000K / 5000K)		
Beam Angle		110° x 100° (H x V)		
CRI		80+		
Dimming		0-10 V		
IP Rating		IP65		
Ambient Operating Temperature		-40°-113° F (-40°-45° C)		
Rated Life (L70)		50,000 hours		

#### Dimensional Drawing



Model	A	B	C	D
<b>FLCKM2-SW3B15-BRK</b>	5.3 in. (135 mm)	7.2 in. (183 mm)	3.7 in. (94 mm)	1.8 in. (47 mm)
<b>FLCKM2-SW3B30-BRK</b>	6.3 in. (161mm)	8 in. (204 mm)	4.5 in. (115 mm)	1.7 in. (44 mm)
<b>FLCKM2-SW3B60-BRK</b>	8.4 in. (212 mm)	9 in. (229 mm)	5.5 in. (140 mm)	1.9 in. (48 mm)

