

LHBDP3 Series

LED Linear High Bay Specifications

Project _____

Date _____ Type _____



LHBDP3-50K130



Description

LHBDP3 LED linear high bays are an ideal option for high bay applications in commercial and industrial locations. Powerful and reliable—these lights achieve an incredibly efficient 130 lumens per watt. Steel housing is powder-coated for added durability and impact-resistant polycarbonate lens protects LEDs and diffuses light. Lights include a hanging kit for suspension mounting the fixture.

Construction/Mechanical

- Includes suspension/hanging kit
- White finish steel housing
- Polycarbonate lens
- ½" trade size knockouts

Electrical

- 120-277 VAC input
- 0-10 V dimming
- 80,000 hour LED lifetime
- ≥0.9 power factor

Photometrics

- 4000K and 5000K versions available
- 135 lm/W
- 110° beam angle
- 80+ CRI

Application

Easily replaces traditional T5 and T8 high bay fixtures as well as metal-halide high bays. Type V distribution makes these ideal for many applications including factories, warehouses, and other large, high ceiling spaces.

Available Models¹

- | | |
|--|--|
| <input type="checkbox"/> LHBDP3-40K85 | <input type="checkbox"/> LHBDP3-50K85 |
| <input type="checkbox"/> LHBDP3-40K105 | <input type="checkbox"/> LHBDP3-50K105 |
| <input type="checkbox"/> LHBDP3-40K130 | <input type="checkbox"/> LHBDP3-50K130 |
| <input type="checkbox"/> LHBDP3-40K155 | <input type="checkbox"/> LHBDP3-50K155 |
| <input type="checkbox"/> LHBDP3-40K170 | <input type="checkbox"/> LHBDP3-50K170 |
| <input type="checkbox"/> LHBDP3-40K210 | <input type="checkbox"/> LHBDP3-50K210 |
| <input type="checkbox"/> LHBDP3-40K255 | <input type="checkbox"/> LHBDP3-50K255 |
| <input type="checkbox"/> LHBDP3-40K300 | <input type="checkbox"/> LHBDP3-50K300 |
| <input type="checkbox"/> LHBDP3-40K400 | <input type="checkbox"/> LHBDP3-50K400 |

Part Number Breakdown

Example: LHBDP3-50K210

Family	CCT	Wattage
LHBDP3	40K [4000K] or 50K [5000K]	85 [85 W]
		105 [105 W]
		130 [130 W]
		155 [155 W]
		170 [170 W]
		210 [210 W]
		255 [255 W]
		300 [300 W]
		400 [400 W]

Certifications and Compliances

DesignLights Consortium listed as DLC 5.1 Premium. Certified by UL as being suitable for damp locations.

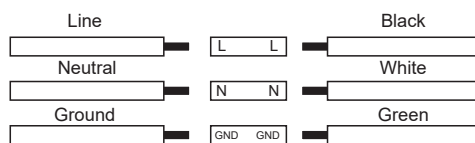


Warranty

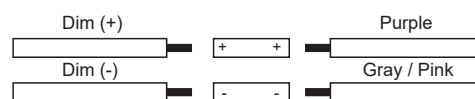
- 5-year warranty

Wiring Diagram

120-277 VAC Input



0-10 V Dimming



¹Contact customer service if interested in options other than those listed.



T 866.811.5550
 F 314.972.6202
 email: commercial-sales@superbrightleds.com
 www.superbrightleds.com/cat/industrial-led-lighting/

Rev V1 Date: 08/08/2022

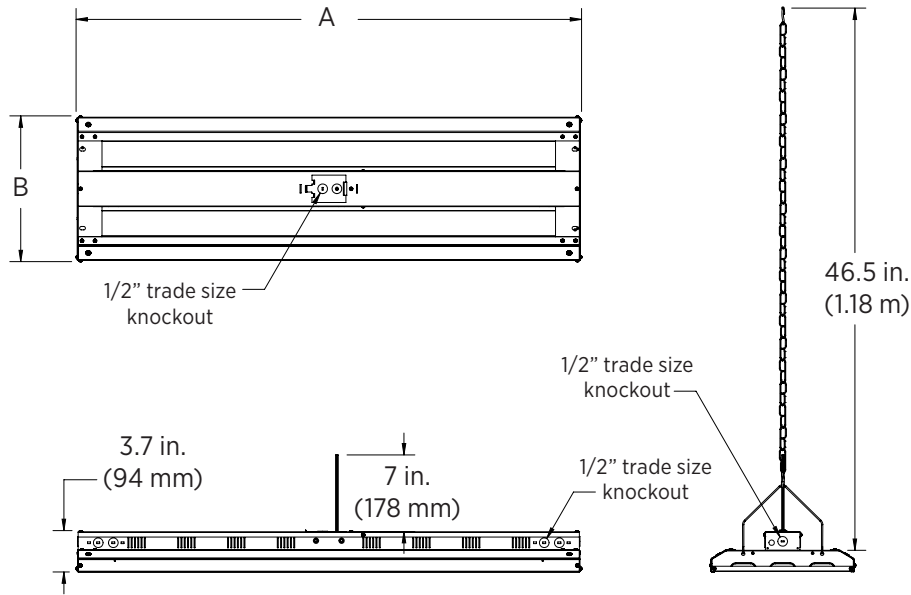
Specifications are subject to change without notice.

Printed in the U.S.A.

LHBDP3 Series

LED Linear High Bay Specifications

Dimensional Drawing



Model	A	B
LHBDP3-xK85, LHBDP3-xK105, LHBDP3-xK130, LHBDP3-xK155	23.8 in. (605 mm)	13 in. (330 mm)
LHBDP3-xK170, LHBDP3-xK210	23.8 in. (605 mm)	17.3 in. (439 mm)
LHBDP3-xK255, LHBDP3-xK300	45.9 in. (1.17 m)	13 in. (330 mm)
LHBDP3-xK400	45.9 in. (1.17 m)	17.3 in. (439 mm)



LHBDP3 Series

LED Linear High Bay Specifications

Specifications

Model		LHBDP3-xK85	LHBDP3-xK105	LHBDP3-xK130	LHBDP3-xK155	LHBDP3-xK170
Intensity		11,475 lm	14,175 lm	17,550 lm	20,925 lm	22,950 lm
Operating Voltage		120-277 VAC				
Power Consumption		85 W	105 W	130 W	155 W	170 W
Current Draw	120 VAC	708 mA	875 mA	1.08 A	1.29 A	1.42 A
	277 VAC	307 mA	379 mA	469 mA	560 mA	614 mA
Efficacy		135 lm/W				
Color Temperature		4000K or 5000K (as ordered)				
Beam Angle		110° (type V distribution)				
CRI		80+				
Power Factor		≥ 0.9				
Dimming		0-10 V				
Environmental Rating		IP20, suitable for damp locations				
Ambient Operating Temperature		-4°-122° F (-20°-50° C)				
Rated Life (L70)		80,000 hours				

Model		LHBDP3-xK210	LHBDP3-xK255	LHBDP3-xK300	LHBDP3-xK400
Intensity		28,350 lm	34,425 lm	40,500 lm	54,000 lm
Operating Voltage		120-277 VAC			
Power Consumption		210 W	255 W	300 W	400 W
Current Draw	120 VAC	1.75 A	2.13 A	2.5 A	3.33 A
	277 VAC	758 mA	921 mA	1.08 A	1.44 A
Efficacy		135 lm/W			
Color Temperature		4000K or 5000K (as ordered)			
Beam Angle		110° (type V distribution)			
CRI		80+			
Power Factor		≥ 0.9			
Dimming		0-10 V			
Environmental Rating		IP20, suitable for damp locations			
Ambient Operating Temperature		-4°-122° F (-20°-50° C)			
Rated Life (L70)		80,000 hours			

