

RIGID LED LIGHT BAR

Model No.: RLB-W6

Features

- Uses high power SMD wide angle LED.
- Small size with high light output.
- Aluminum PCB circuit board, ensures cool operation
- On board constant current drivers ensure stable operation and long LED lifetime.



0.5W x 6pcs Rigid LED light Bar

Specifications

- Input Voltage: DC12V
- LED Type: SMD 0.5W LED
- Beam Angle: 120 degrees
- Color: Cool White & Warm White
- Dimension: 400(L) x 15(W) mm / pc
- Luminous Intensity: 120 Lumen



Rigid LED Light Bar—Cool White



Rigid LED Light Bar—Warm White

Model No.	LED		Current per Light Bar	Power Consumption	Surface Luminous Intensity @0.5M	Luminous Intensity @ 1M distance
	Color Temperature	Qty				
RLB-CW6	Cool White --	6 pcs	285mA	3.6 W	270 Lux	100 Lux
RLB-WW6	Warm White --	6 pcs	255mA	3.6 W	180 Lux	65 Lux

- Operating Temperature: -40°C ~ +80°C
- LED Lifetime: 30,000 Hours

Applications

Undercabinet, display case, auto, stage, showroom, pole, wall washer, advertisement decoration cove lighting and character sign etc.

Super Bright LEDs, Inc.

4400 Earth City Expy., St. Louis, MO 63045 USA

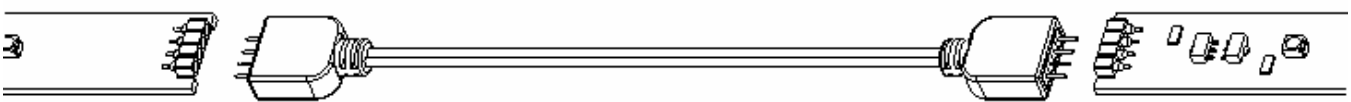
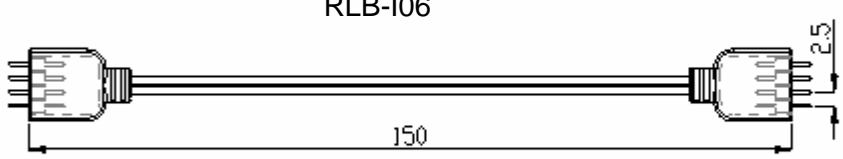
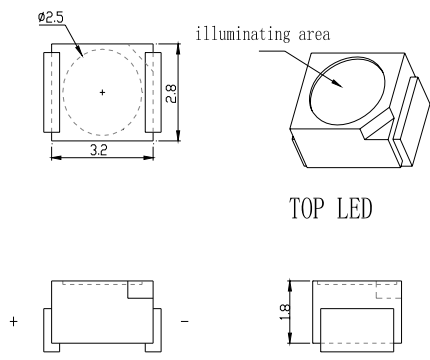
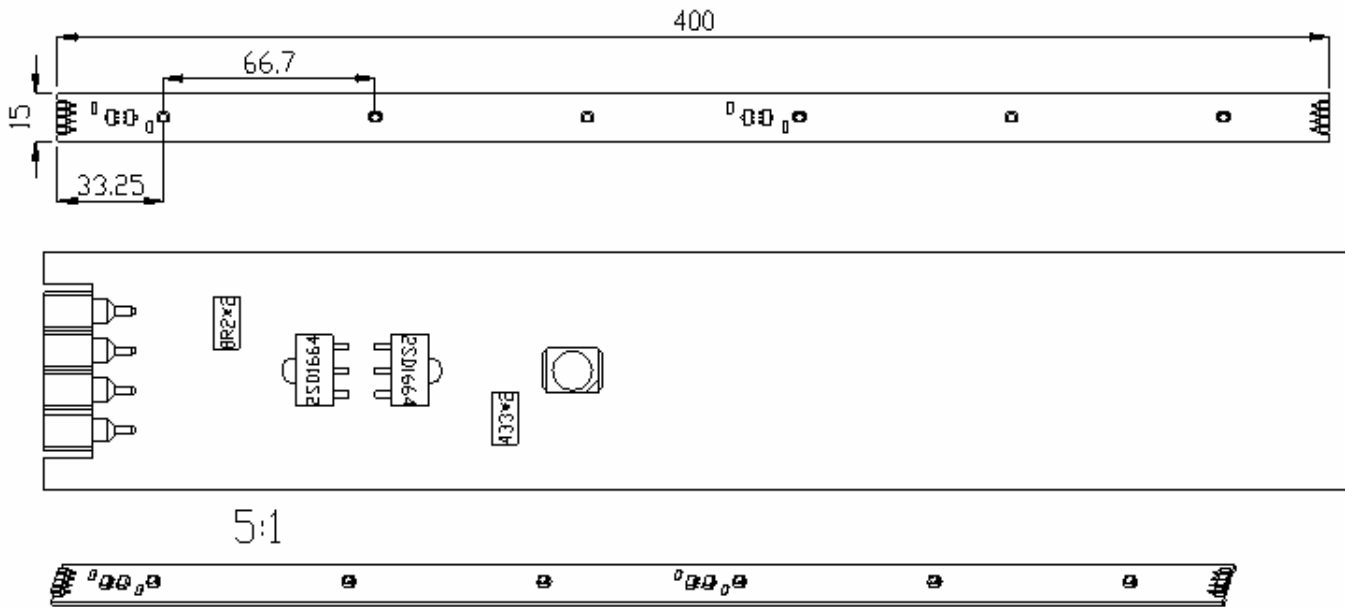
Tel: +314-972-6200

Fax: +314-972-6202

E-mail: sales@superbrightleds.com

Dimensions

Unit: mm



Connection Drawing

