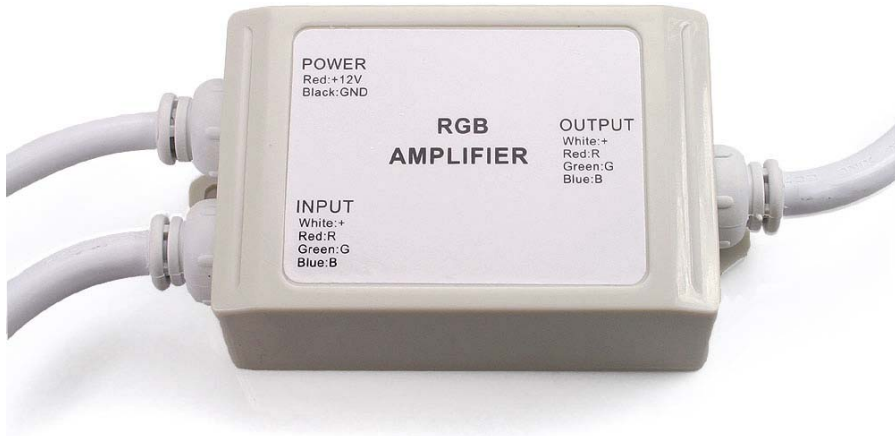


User Manual for Model: RGB-WA4 Waterproof Amplifier

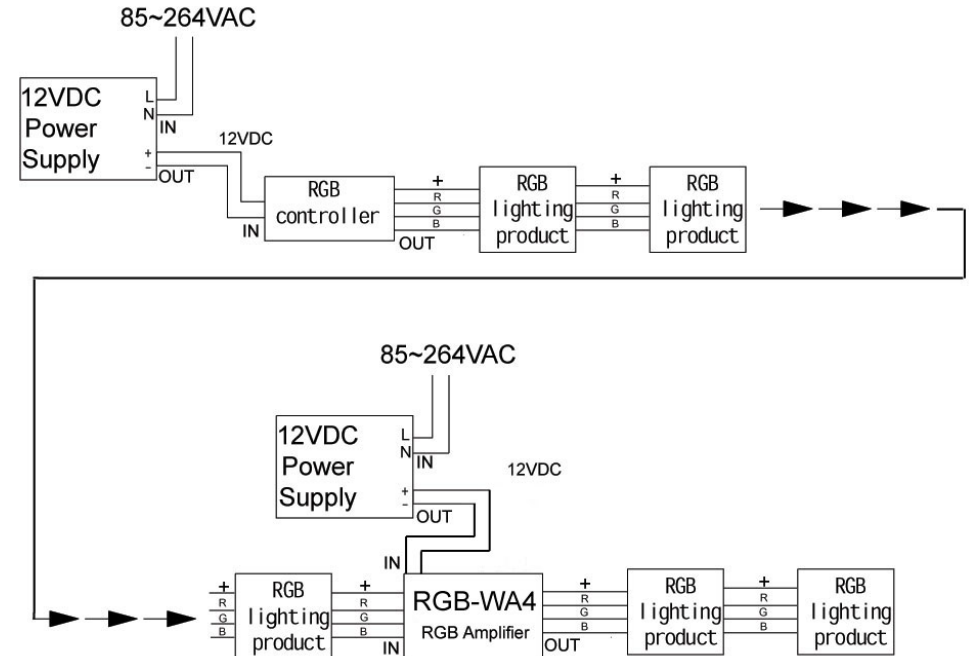


Waterproof RGB Amplifier
For RGB Controllers

Waterproof RGB Amplifier can be used with any of our RGB LED Controllers to extend the number of the RGB LED Strips or Bars connected to it.

I. Specifications:	
Supply voltage: DC 12V	Product size: (L)95 X (W)52 X (H)30 mm
Max load current: 4 Amps/channel (12 Amps total)	Net weight: 100g
Output: 3 channel	Working Temperature: -20~60°C
Connection mode: Common Anode	
Output Power: 144 Watts	Static power consumption: < 1 Watt
Function: Amplify RGB Controller Signals using PWM	

II. Typical Wiring Schematic:



III. Safety Information:

1. Supply voltage of this product is 12 Volts DC, do not exceed
2. Shorting output wires may cause damage to amplifier
3. Always observe proper polarity when connecting power and load

Super Bright LEDs, Inc.

4400 Earth City Expressway
St. Louis, MO 63045, USA

Tel: 314-972-6200

Fax: 314-972-6202

email: sales@superbrightleds.com

superbrightleds.com