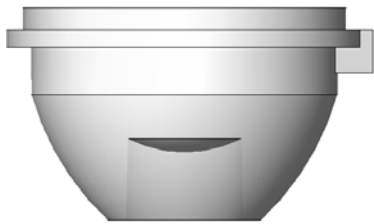


# Super Bright LEDs Inc.

**Part No:RGB-1WS-LM15  
Lens and Mount Assembly  
Technical Datasheet**



## Features

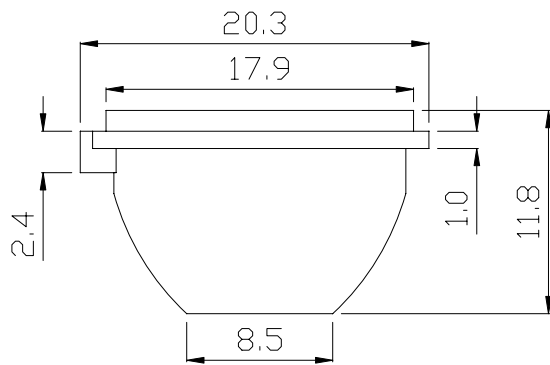
- Up to 90% efficiency
- Viewing angle:  $2\theta_{1/2}=15^\circ$ ,  $2\theta_{0.3}=25^\circ$
- Works with the PG1x Lambertian Series

## Typical Applications

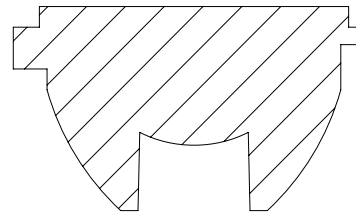
- Reading lights (car, bus, aircraft)
- Portable (flashlight, bicycle)
- Mini-accent / Decorative / Fiber Optics Alternative
- Undershelf / Task Lighting
- Indoor and Outdoor Commercial and Residential Architectural lighting

# Super Bright LEDs Inc.

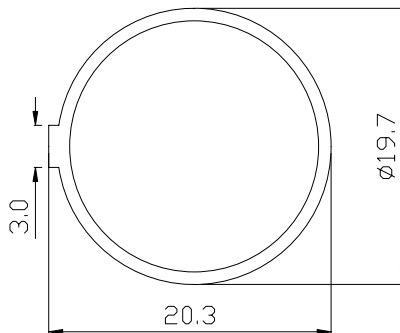
## Lens Dimensional Specifications



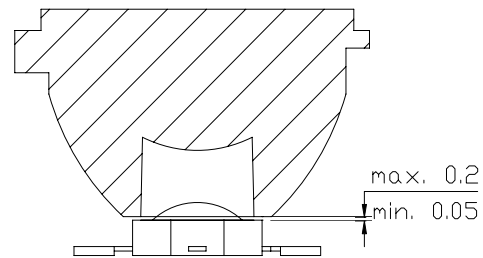
SECTION VIEW



TOP VIEW



Clearance between Lens and LED



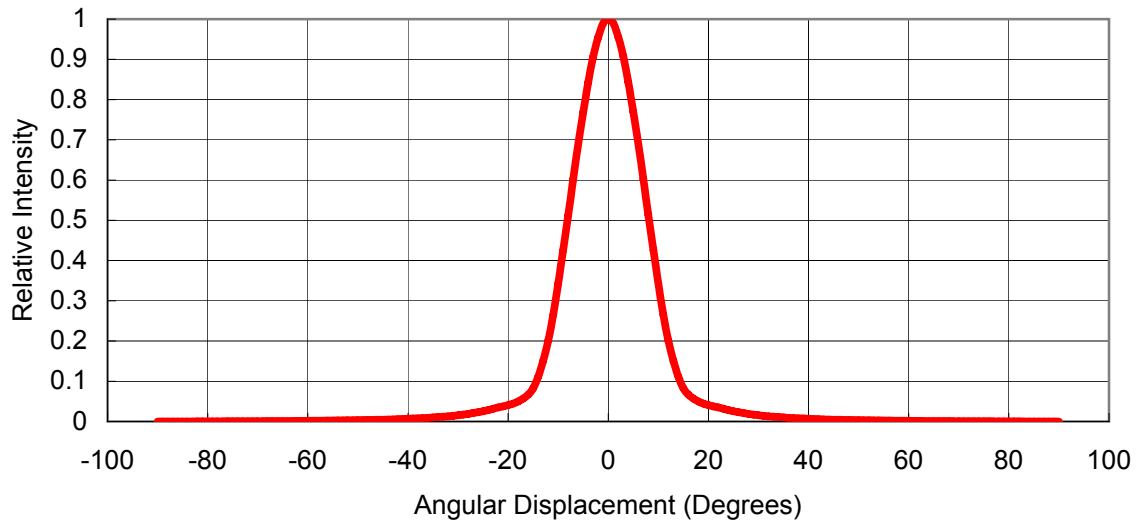
### Notes:

1. All dimensions in millimeters.
2. The lens rim ( $\phi 19.7\text{mm}$ ) may be used as a snap-on feature to support the lens.
3. The light source must be protected from any axial or lateral loads caused by the lens  
- do not clamp the lens assembly against the emitter.
4. Do not subject to temperatures greater than  $75^{\circ}\text{C}$  as plastic deformation may occur.  
Protect lens assembly against exposure to solvents and adhesives that are not compatible with it.  
Use care in handling the optic to avoid scratches or other damage that will effect the optical performance.

# Super Bright LEDs Inc.

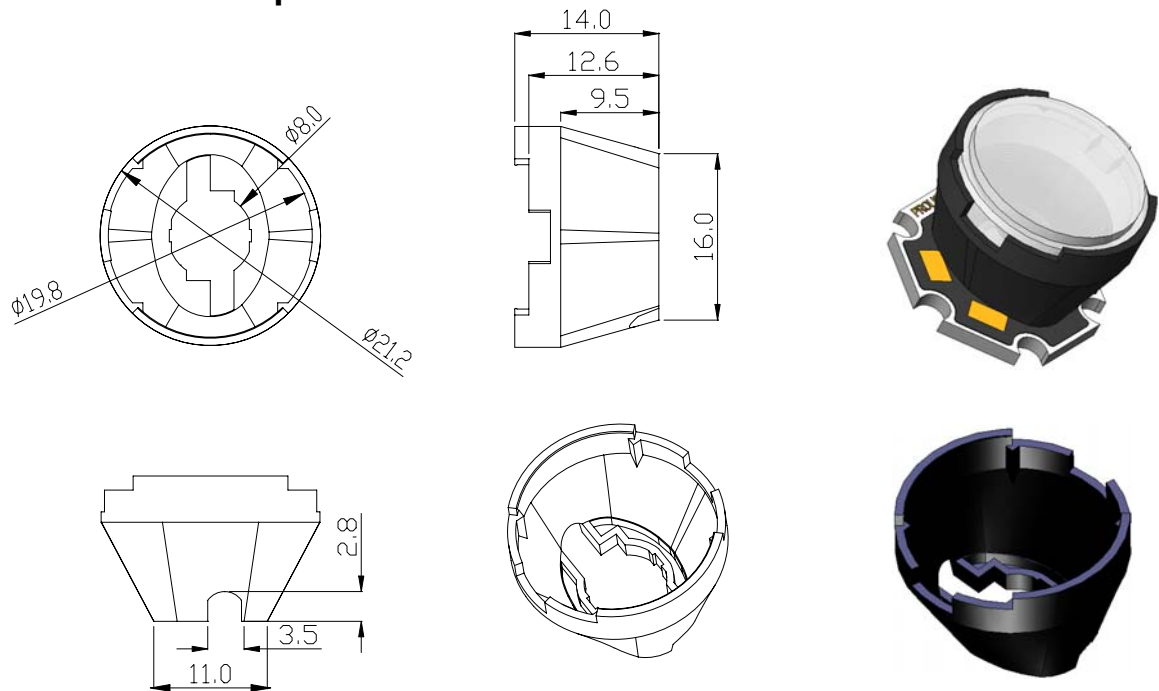
## Typical Representative Spatial Radiation Pattern

### Spot Radiation Pattern



# Super Bright LEDs Inc.

## Mount Dimensional Specifications



### Notes:

1. All dimensions in millimeters.
2. All dimensions without tolerances are for reference only.
3. Drawing not to scale.