

E27-W4 (3x1.3W LED) E27

DATA SHEET

Super Bright LEDs, Inc.

**4400 Earth City Expressway
St. Louis, MO 63045, USA**

Tel: 314-972-6200

Fax: 314-972-6202

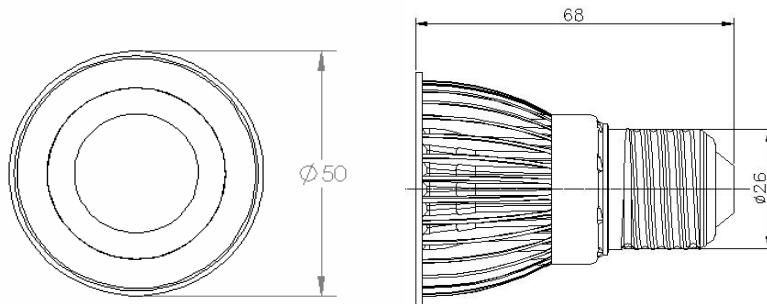
email: sales@superbrightleds.com

superbrightleds.com

1.FEATURES

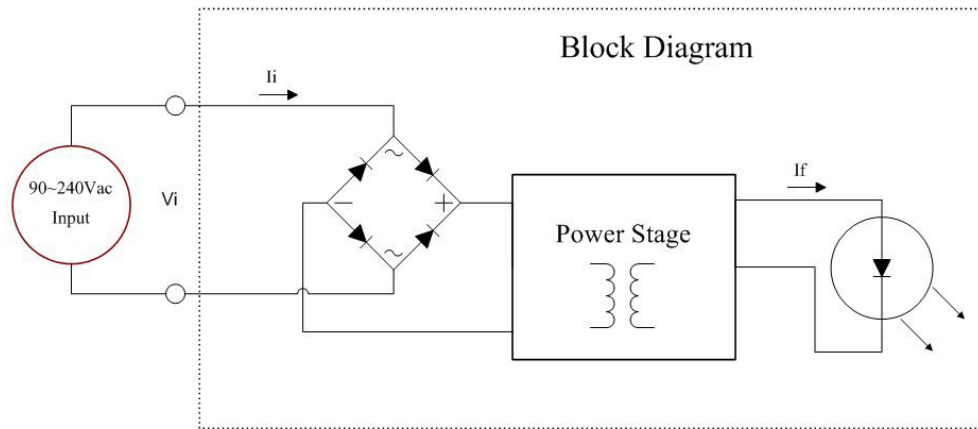
- Bulb type: Socket drop-in replacement halogen lamp.
- Base type: E27.
- Total power: 4 Watt.
- Beam angle: 60 degree.
- Color temp.(Typ.): 2900/5250 K
- Light output (Typ.): 100/120 Lm.
- Estimated lifespan: 50,000 hours.
- Cool beam avoids heat degeneration.
- UV or IR free.
- Unique design for perfectly optical performance
- Optimized thermal management: Body temperature <65°C (Ta=25 °C).
- High-voltage isolation and switching mode power designs give high-efficient and constant current source
- Net Weight: 75g.

2.Mechanical Dimensions & Materials



COMPONENT	TYPE
Al Cup	ADC12
Lens	PMMA
Top cover	PC+ Acrylic
LED light source	Nichia NS6L/NS6W 083 (3ea)
Light base	Al Substrate
Power module	Switching Mode
Plastic mask	PC-V2
Connect pin	Cu Plating Sn

3.CIRCUIT DIAGRAM



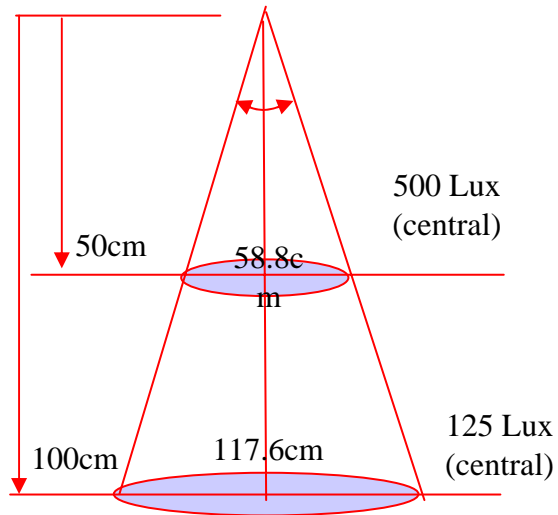
4.SPECIFICATION

Item	Symbol	Value	Unit
Operation supply range (AC)	V_i	90~240	V
Total power dissipation (max.)	P_d	4	W
LED input current	I_f	240	mA
Operation Temperature	T_{opr}	-20~ +45	°C
Storage Temperature	T_{stg}	-40~+85	°C
LED light source Temp.	T_{led}	120	°C

5. Typical Optical Characteristics

Lux vs. Different Height vs. Different Color Temp.

2900K



5250K

