

Model: CL

DATA SHEET

Super Bright LEDs, Inc.

**100 Washington St.
St. Louis, MO, 63031, USA**

Tel: 314-972-6200

Fax: 314-972-6202

superbrightleds.com

1. Applications :

Area: Indoor use only

Purpose : Cabinet lighting, jewelry lighting, decorative lighting

Features: - Easy installation

- Modular design for daisy chaining

- Super bright intensity

- Lower energy consumption

- Long life time (20,000 hrs)

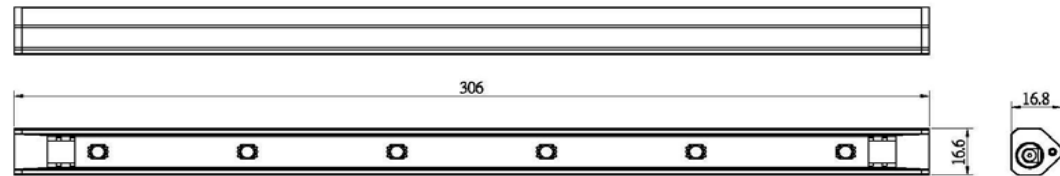
- UV or IR free

- High-efficient power design (constant current source)

2. Specifications :

Outline Dim.:

306(L)x16.6(W)x16.8(H) mm



LED Light Source : 1 W x 6ea (Nichia)

Input Voltage: 24VDC

Power Consumption: 7 W max.

Color Temp.:5200±400 / 3000±300

Operation Temp : -20°C~40°C

IP: 42

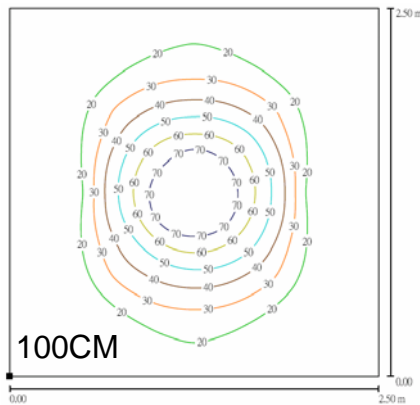
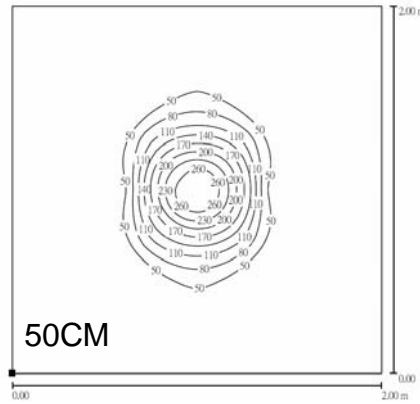
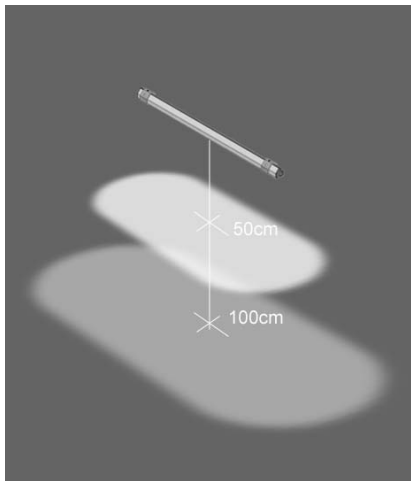
3. Content list :

-Mounting brakets (2) -Screws (2)

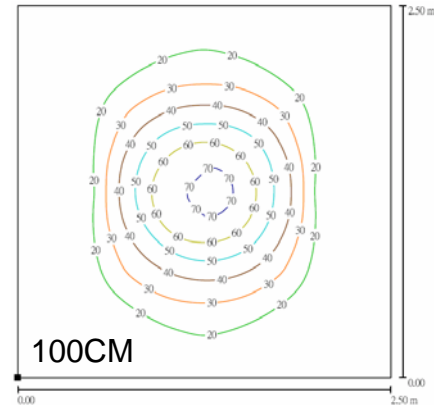
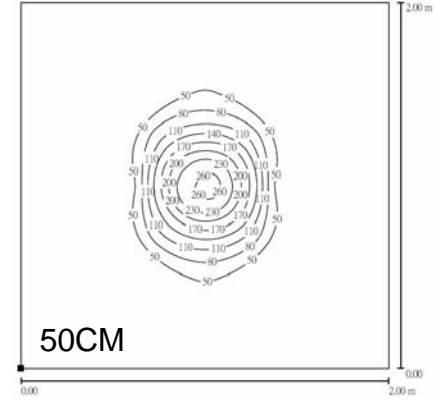
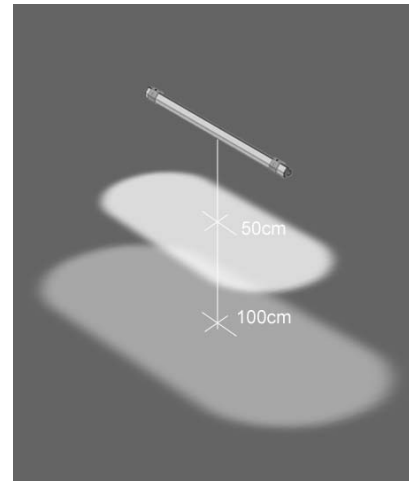
4. Optical performance :

CCT	Model Number	Lux@50cm	Beam Angle	Lumens	CRI
5200±400 K	CLL-CW7	350	120 degree	325	76.0
3000±300 K	CLL-WW7	295	120 degree	255	73.0

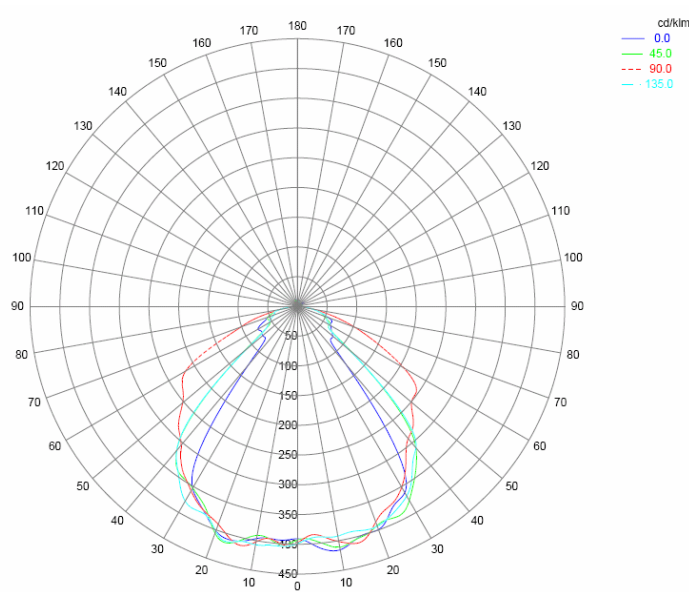
5200K(CLl-CW7)



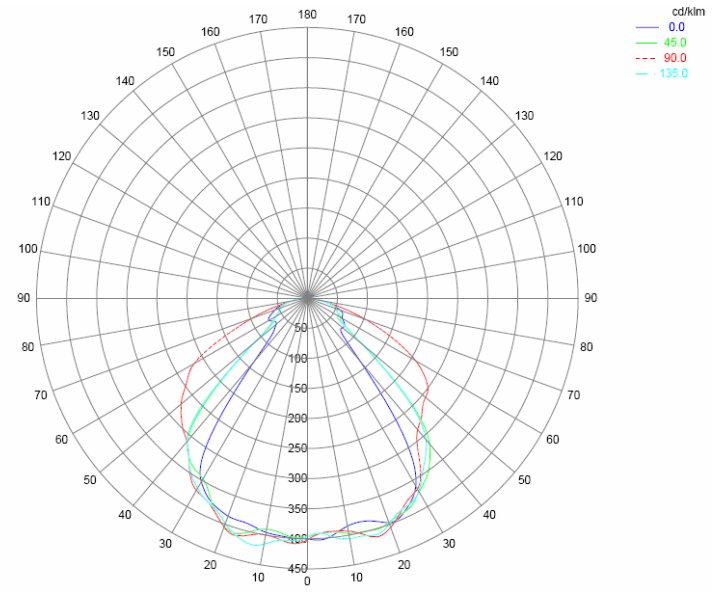
3000K(CLl-WW7)



5. Distribution Pattern



5200K(CLL-CW7)



3000K(CLL-WW7)

6. Safety warning :

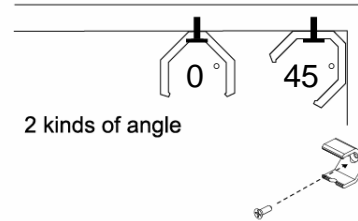
Caution: Never use over 24V adapter or the power driver could be damaged.

(Please use appropriate adapter)

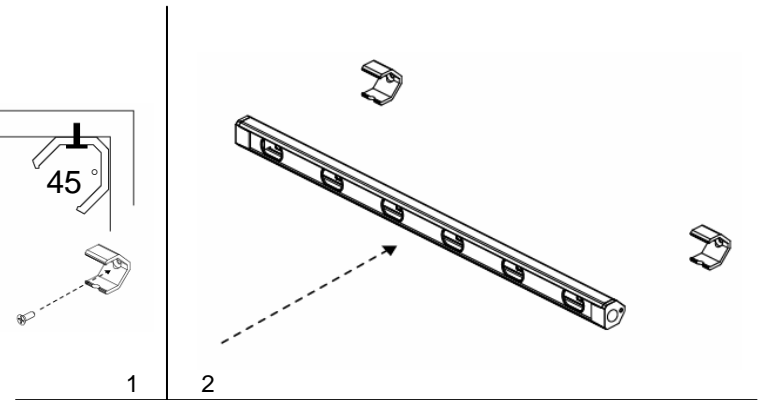
- Warning:
- Manufacturer can not guarantee product life-time if the operation temperature is over 40 degree Celsius or under -20 degree Celsius.
 - Please do not turn on the power before installation complete.

7. Mounting Options :

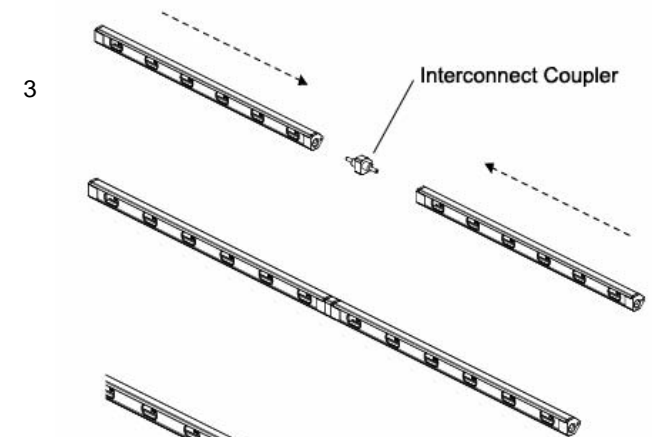
1. Screw mounts in proper place.



2. Place the Linear Light into the mounts.



3. Place interconnect coupler between fixtures to connect multiple Linear Lights.



Notes:

30-Watt Power Supply can drive a maximum of 3 Linear Lights.

50-Watt Power Supply can drive a maximum of 5 Linear Lights.

